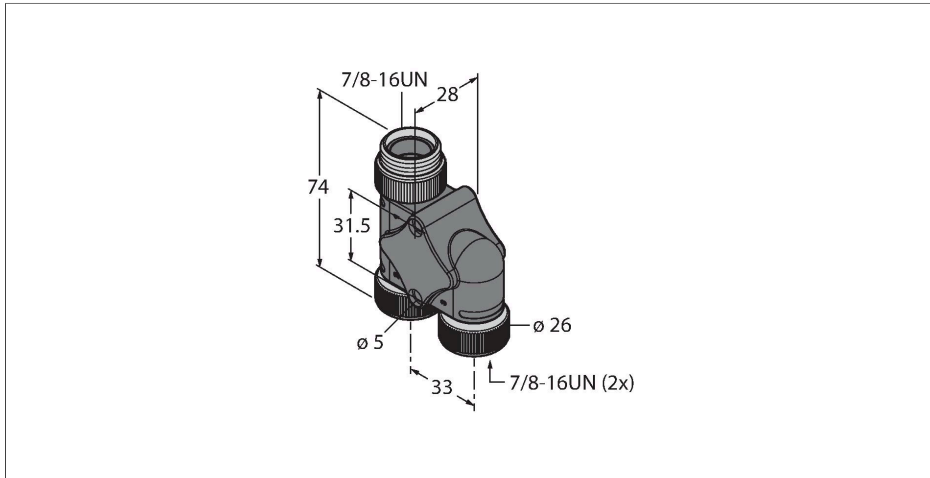


XSH-RSM-2RKM 60

2-Way Splitter – Small h body

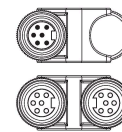


Features

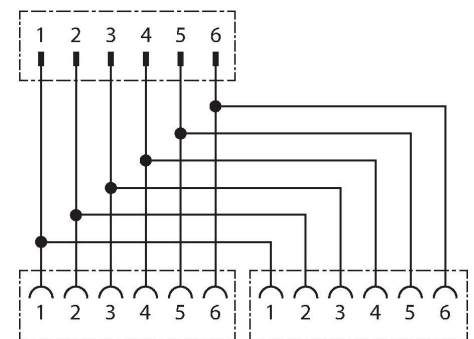


- 7/8" connector
- Male – 2 x female, 6-pin
- Wired in parallel
- cULus listed
- RoHS-compliant
- Protection class: NEMA 1, 3, 4, 6P and IEC IP67

Contact assignment



Circuit Diagram



Technical data

Type	XSH-RSM-2RKM 60
ID	U2-23668
Distributed I/O	h-splitter, 2 -port
Housing	Plastic, TPU
Connector A	Male, 7/8"-16 UN
Number of contacts	6
Contacts	Brass, CuZn, Gold-plated
Contact carriers	Plastic, TPU, Black
Connector body	Black
Coupling nut	Brass, CuZn, Nickel-plated
Mechanical life	> 100 Mating cycles
Protection class (When coupled)	IP67, Only in screwed condition
Connector B	Female, 7/8"-16 UN
Number of contacts	6
Contacts	Metal, CuSn, Gold-plated
Contact carriers	TPU, Black
Coupling nut	Brass, CuZn, Nickel-plated
Seal	Plastic
Mechanical life	> 100 Mating cycles
Protection class (When coupled)	IP67
Electrical properties at +20 °C	
Rated voltage	600 V
Current	8 A

Technical data

Mechanical and chemical properties

Ambient temperature range (static) -40 °C...+105 °C

Ambient temperature range (dynamic) -40 °C...+105 °C

Note

- We reserve the right to make technical alterations without prior notice.